



elektrosistem



RBC

REMOTE INDICATOR FOR BATTERY CHARGER



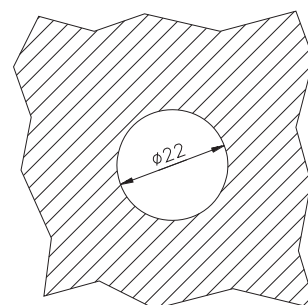
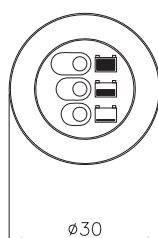
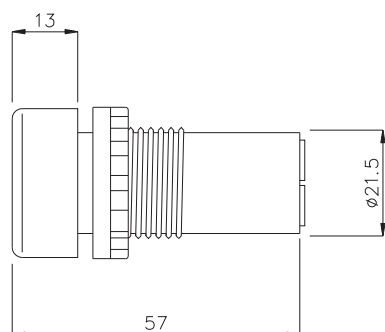
RBC remote indicator is used to display battery charger LEDs and determine the charge status. The compact size guarantees a high versatility and allows easy installation in small dashboards or other panels, no special skills are required. Thanks to our RBC the operator can monitor the battery charging process and the condition of the battery from a remote location and can take immediate measures in case of anomaly during charging.

TECHNICAL FEATURES

- Indication through high bright LEDs
- Not affected by vibrations
- IP 65 protection on the upper part
- Operating temperature $-20^{\circ}\text{C} + 50^{\circ}\text{C}$
- Max. relative humidity 90% at 25°C
- Supplied with 1,8 mt connection cable (cable length can be modified on request)
- Designed for use with Elektrosistem chargers model CB 350 HF, CB 400 HF, CB 7 HF and CB 1000 HF

N.B. RBC indicator has been designed for Elektrosistem battery chargers. In case of use with other devices be sure the voltage is included between 1.5V and 1.7V and the current is included between 1mA and 5mA.

DIMENSIONS



WIRING DIAGRAM

